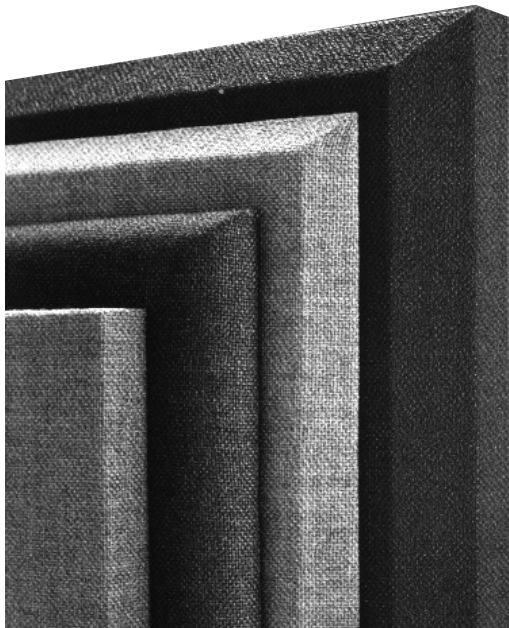


AcoustiGuard™ Decorative Absorption Panels – DAP

AcoustiGuard™ Decorative Absorption Panels enhance room acoustics and reduce reverberation. Benefits are improved workspace comfort and usability.



Choose from a wide selection of coverings and edge treatments for maximum design flexibility.

The AcoustiGuard™ DAP is an attractive, versatile, rigid fiberglass panel that can be used for a variety of acoustic applications. The panels are available in any size up to 48" X 96", making them an excellent choice for wall treatments in offices and other work environments. DAP's can also be manufactured in back to back configurations to produce decorative acoustic baffles.

A wide variety of fire rated facings are available ranging from different cloths to embossed perforated vinyls. All coverings are available in a full spectrum of colour choices to suit and enhance room decor.

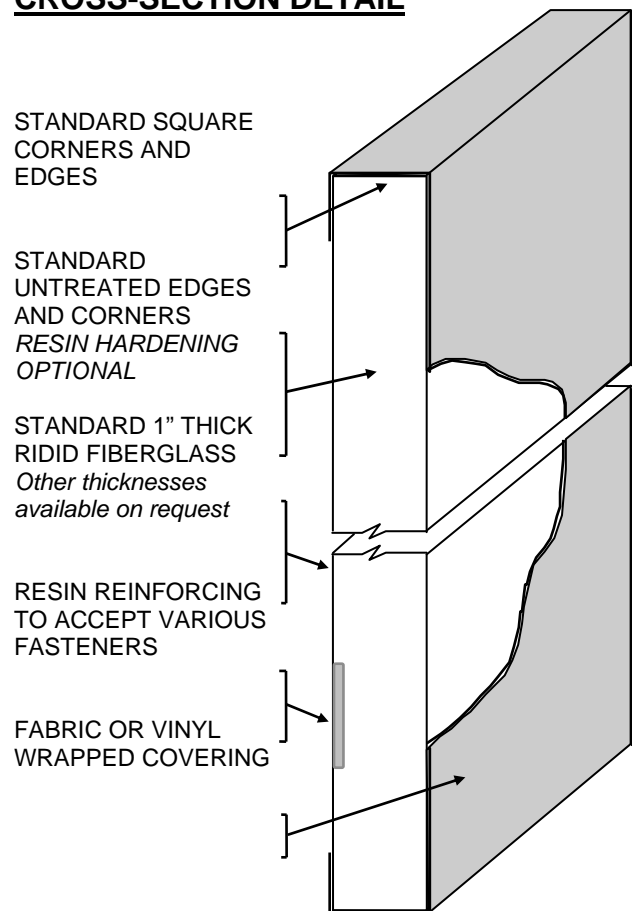
FEATURES

Resin hardened edges are an option for increased durability on panel sides and corners.

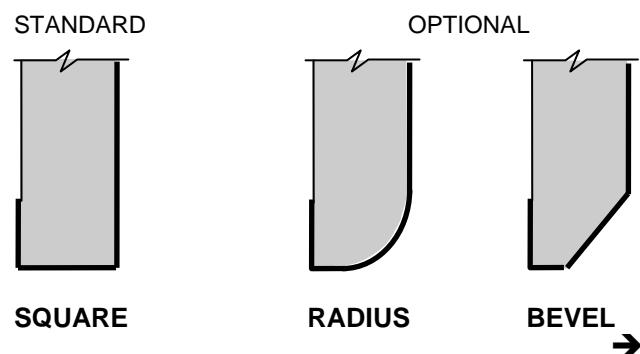
Typical installation methods include mechanical clips or Hook & Loop style fasteners, both of which are invisible after panels are installed. Resin reinforcing is applied at required locations to accept the desired fastening method.

The most economical DAP's are ones specified with square edges (other profiles available) and of sizes that consider the yield from standard 48" X 96" stock.

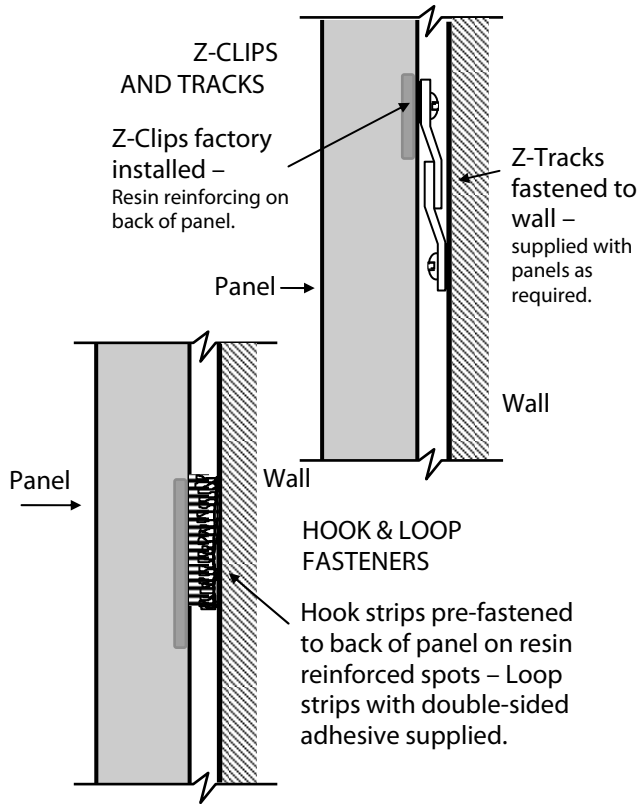
CROSS-SECTION DETAIL



EDGE PROFILES



OPTIONAL PANEL INSTALLATION



PERFORMANCE DATA

Absorption Coefficient

Frequency (Hz)	1" Thick Fiberglass Fabric Finish	1" Thick Fiberglass Vinyl Finish (18% Perf.)
200	0.195	0.214
250	0.333	0.302
315	0.381	0.352
450	0.438	0.473
500	0.687	0.648
630	0.820	0.797
800	0.916	0.888
1000	0.955	0.842
1250	1.044	1.032
1600	1.068	1.030
2000	1.094	1.053
2500	1.003	0.967
3150	0.897	0.874
4000	0.877	0.854
5000	0.883	0.879
NRC	0.75	0.75

FLAMMABILITY

DAP Fabric and Vinyl finish panels are CLASS A, non-combustible as defined by ASTM E-84.

For complete application assistance contact direct,

WILREP LTD.

1515 Matheson Blvd. E., Unit C-10
 Mississauga, Ontario, Canada L4W 2P5
 Tel. (905)625-8944 Fax (905)625-7142
 www.wilrep.com e-mail: info@wilrep.com