

● Bobbins

Trelleborg Industrial AVS - Bobbins

A supplementary range of cylindrical mountings for a wide range of applications. They can be loaded either in compression or shear taking into consideration individual demands for actual applications.

Manufactured in natural rubber hardness 40° IRH or 60° IRH.



Type A



Type B



Type C



Type D

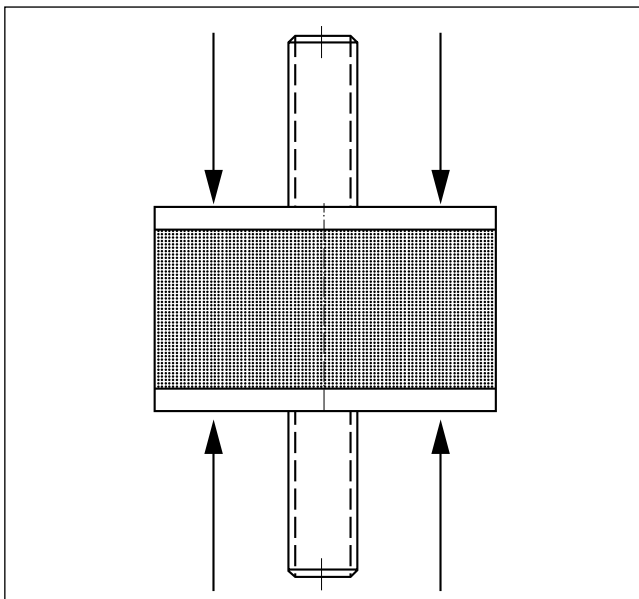


Type KD

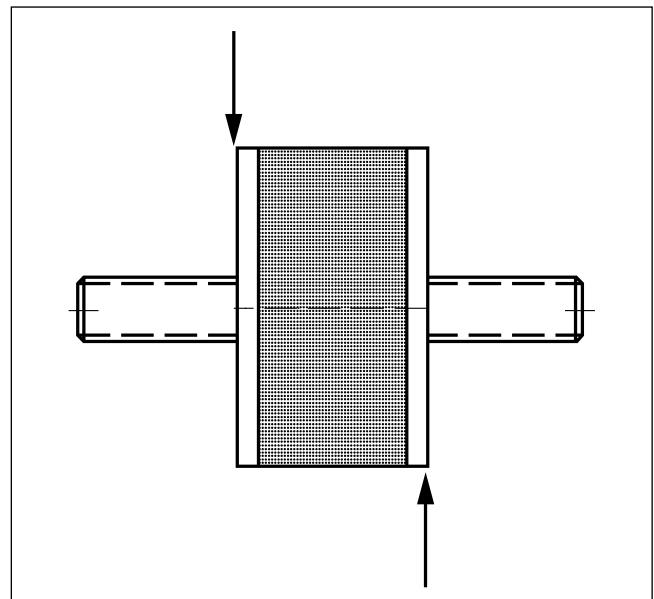


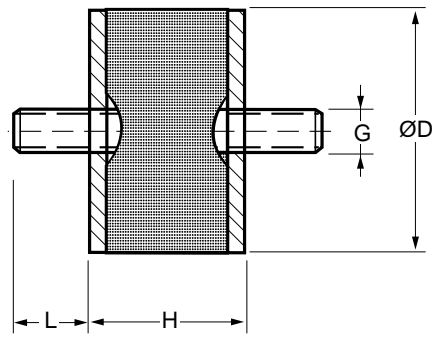
Type E

Compression load



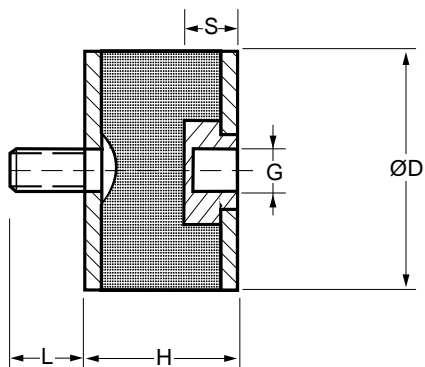
Shear load





Cylindrical mountings type A

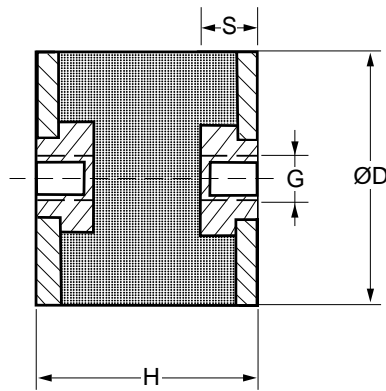
| Type D/H | GxL | Art.No. 40° IRH | Art.No. 60° IRH | 40° IRH | | | | 60° IRH | | | | |
|----------|--------|--------------------|--------------------|----------------------|------------------|-----------------------|------------------|----------------------|------------------|-----------------------|------------------|------|
| | | | | Compression load | | Shear load | | Compression load | | Shear load | | |
| | | | | k_{comp} (N/mm) | F_{max} (N) | k_{shear} (N/mm) | F_{max} (N) | k_{comp} (N/mm) | F_{max} (N) | k_{shear} (N/mm) | F_{max} (N) | |
| A | 10/10 | M4x10 | 1255720 | | | | | 53 | 77 | 10 | 31 | |
| A | 10/15 | M4x10 | 318600 | | | | | 31 | 56 | 6 | 23 | |
| A | 15/10 | M4x10 | 318610 | | | | | 135 | 151 | 22 | 52 | |
| A | 15/15 | M4x10 | 318620 | | | | | 73 | 133 | 13 | 52 | |
| A | 20/10 | M6x15 | 318630 | 318640 | 162 | 170 | 19 | 42 | 309 | 324 | 41 | 92 |
| A | 20/15 | M6x15 | 2255780 | 1255770 | 70 | 123 | 11 | 42 | 145 | 255 | 25 | 92 |
| A | 20/20 | M6x15 | 2230950 | 1255300 | 45 | 110 | 8 | 42 | 96 | 235 | 18 | 92 |
| A | 20/25 | M6x15 | 318650 | 1255780 | 33 | 105 | 6 | 42 | 72 | 227 | 14 | 92 |
| A | 20/30 | M6x15 | 318660 | 318670 | 27 | 102 | 5 | 42 | 58 | 223 | 11 | 92 |
| A | 25/10 | M6x15 | 318680 | 318690 | 314 | 330 | 29 | 66 | 574 | 603 | 64 | 144 |
| A | 25/15 | M6x15 | 318700 | 318710 | 123 | 215 | 18 | 66 | 247 | 432 | 38 | 144 |
| A | 25/20 | M6x15 | 318720 | 318730 | 75 | 184 | 13 | 66 | 157 | 385 | 27 | 144 |
| A | 25/25 | M6x15 | 318740 | 318750 | 54 | 171 | 10 | 66 | 116 | 366 | 21 | 144 |
| A | 25/30 | M6x15 | 318760 | 318770 | 43 | 164 | 8 | 66 | 93 | 356 | 17 | 144 |
| A | 30/15 | M8x20 | 318780 | 1255830 | 237 | 378 | 28 | 95 | 453 | 723 | 61 | 208 |
| A | 30/20 | M8x20 | 318790 | 1255320 | 129 | 295 | 19 | 95 | 261 | 600 | 42 | 208 |
| A | 30/25 | M8x20 | 318800 | 318810 | 88 | 263 | 15 | 95 | 184 | 552 | 32 | 208 |
| A | 30/30 | M8x20 | 1660730 | 1255840 | 67 | 248 | 12 | 95 | 143 | 529 | 26 | 208 |
| A | 30/35 | | | | | | | | 117 | 516 | 22 | 208 |
| A | 30/40 | M8x20 | 318820 | 318830 | 46 | 233 | 9 | 95 | 100 | 508 | 19 | 208 |
| A | 40/20 | M8x20 | 318840 | 318850 | 275 | 632 | 34 | 170 | 534 | 1226 | 75 | 369 |
| A | 40/25 | | | | | | | | 359 | 1076 | 58 | 369 |
| A | 40/30 | M8x20 | 318860 | 318870 | 130 | 481 | 21 | 170 | 271 | 1002 | 47 | 369 |
| A | 40/40 | M8x20 | 318880 | 318890 | 86 | 437 | 16 | 170 | 184 | 935 | 34 | 369 |
| A | 50/20 | M10x25 | 318900 | 318910 | 564 | 1248 | 56 | 265 | 1042 | 2306 | 122 | 577 |
| A | 50/25 | M10x25 | 318920 | 318930 | 335 | 976 | 42 | 265 | 652 | 1900 | 93 | 577 |
| A | 50/30 | M10x25 | 1861540 | 1255870 | 234 | 846 | 34 | 265 | 472 | 1706 | 75 | 577 |
| A | 50/35 | M10x25 | 318940 | 318950 | 180 | 774 | 29 | 265 | 371 | 1598 | 62 | 577 |
| A | 50/40 | M10x25 | 318960 | 1255340 | 146 | 730 | 25 | 265 | 306 | 1533 | 54 | 577 |
| A | 50/45 | M10x25 | 318970 | 1255880 | 123 | 701 | 22 | 265 | 261 | 1490 | 47 | 577 |
| A | 50/50 | M10x25 | 318980 | 1255350 | 106 | 681 | 19 | 265 | 228 | 1460 | 42 | 577 |
| A | 75/40 | M12x35 | 319000 | 319010 | 417 | 2032 | 57 | 596 | 827 | 4030 | 124 | 1299 |
| A | 75/50 | M12x35 | 319020 | 319030 | 282 | 1766 | 44 | 596 | 579 | 3632 | 97 | 1299 |
| A | 75/55 | M12x35 | 319040 | 319050 | 242 | 1689 | 40 | 596 | 504 | 3517 | 87 | 1299 |
| A | 100/40 | M16x45 | 319060 | 319070 | 932 | 4541 | 102 | 1060 | 1755 | 8549 | 221 | 2309 |
| A | 100/55 | M16x45 | 319080 | 319090 | 496 | 3455 | 71 | 1060 | 994 | 6929 | 155 | 2309 |



Cylindrical mountings type B

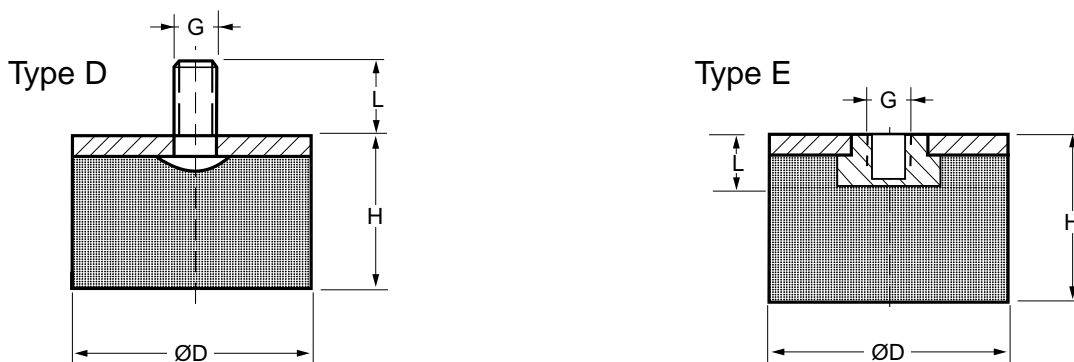
| Type D/H | GxL (S) | Art.No. 60° IRH | 60° IRH Compression load | | Shear load | |
|----------|-------------|--------------------|-----------------------------|------------------|-----------------------|------------------|
| | | | k_{comp} (N/mm) | F_{max} (N) | k_{shear} (N/mm) | F_{max} (N) |
| B 10/10 | M4x10(4) | 1255930 | 58 | 56 | 10 | 23 |
| B 10/15 | M4x10(4) | 319100 | 34 | 52 | 6 | 23 |
| B 15/15 | M4x10(4) | 319110 | 79 | 124 | 13 | 52 |
| B 20/15 | M6x15(6) | 1255960 | 159 | 238 | 25 | 92 |
| B 20/20 | M6x15(6) | 1255970 | 105 | 220 | 18 | 92 |
| B 20/25 | M6x15(6) | 319120 | 79 | 213 | 14 | 92 |
| B 25/15 | M6x15(6) | 1255990 | 269 | 404 | 38 | 144 |
| B 25/20 | M6x15(6) | 319130 | 172 | 360 | 27 | 144 |
| B 25/25 | M6x15 (6) | 319140 | 127 | 342 | 21 | 144 |
| B 25/30 | M6x15(6) | 319150 | 101 | 333 | 17 | 144 |
| B 30/15 | M8x20(8) | 319160 | 494 | 676 | 61 | 208 |
| B 30/20 | M8x20 (8) | 1256040 | 285 | 561 | 42 | 208 |
| B 30/25 | M8x20(8) | 319170 | 201 | 516 | 32 | 208 |
| B 30/30 | M8x20 (8) | 1256060 | 156 | 495 | 26 | 208 |
| B 30/40 | M8x20(8) | 319180 | 109 | 475 | 19 | 208 |
| B 40/30 | M8x20(8) | 319190 | 296 | 937 | 47 | 369 |
| B 40/40 | M8x20(8) | 319200 | 200 | 875 | 34 | 369 |
| B 50/30 | M10x25(10) | 319210 | 515 | 1595 | 75 | 577 |
| B 50/40 | M10x25 (10) | 319220 | 334 | 1433 | 54 | 577 |
| B 50/50 | M10x25 (10) | 1256120 | 248 | 1365 | 42 | 577 |
| B 75/50 | M12x35(12) | 319240 | 632 | 3396 | 97 | 1299 |
| B 75/55 | M12x35 (12) | 319250 | 550 | 3288 | 87 | 1299 |
| B 100/40 | M16x45 (16) | 319260 | 1914 | 7994 | 221 | 2309 |
| B 100/55 | M16x45(16) | 319270 | 1084 | 6479 | 155 | 2309 |

S = internal thread length


Cylindrical mountings type C

| Type | D/H | G(S) | Art.No. 60° IRH | 60° IRH | | Shear load | |
|------|--------|---------|--------------------|----------------------|------------------|-----------------------|------------------|
| | | | | Compression load | | | |
| | | | | k_{comp} (N/mm) | F_{max} (N) | k_{shear} (N/mm) | F_{max} (N) |
| C | 15/15 | M4(4) | 1256210 | 86 | 112 | 13 | 52 |
| C | 20/20 | M6(4) | 66522 | 114 | 199 | 18 | 92 |
| C | 20/25 | M6(6) | 1256220 | 85 | 192 | 14 | 92 |
| C | 20/30 | M6(6) | 66548 | 69 | 189 | 11 | 92 |
| C | 25/20 | M6(6) | 1256230 | 186 | 325 | 27 | 144 |
| C | 25/25 | M6(6) | 319280 | 137 | 309 | 21 | 144 |
| C | 30/25 | M8(8) | 319300 | 218 | 466 | 32 | 208 |
| C | 30/30 | M8(8) | 1255410 | 169 | 447 | 26 | 208 |
| C | 30/35 | M8(8) | 319310 | 139 | 436 | 22 | 208 |
| C | 30/40 | M8(8) | 319320 | 118 | 429 | 19 | 208 |
| C | 40/30 | M 8(8) | 1255420 | 320 | 846 | 47 | 369 |
| C | 40/40 | M 8(8) | 1256260 | 217 | 790 | 34 | 369 |
| C | 50/30 | M10(10) | 1256270 | 558 | 1440 | 75 | 577 |
| C | 50/35 | M10(10) | 2255730 | 438 | 1349 | 62 | 577 |
| C | 50/40 | M10(10) | 1256280 | 361 | 1294 | 54 | 577 |
| C | 50/45 | M10(10) | 1256290 | 308 | 1257 | 47 | 577 |
| C | 50/50 | M10(10) | 1256300 | 269 | 1232 | 42 | 577 |
| C | 75/36 | M12(12) | 66746 | 1180 | 3635 | 141 | 1299 |
| C | 75/40 | M12(12) | 319330 | 977 | 3402 | 124 | 1299 |
| C | 75/45 | M12(12) | 319340 | 805 | 3202 | 109 | 1299 |
| C | 75/50 | M12(12) | 2256670 | 684 | 3066 | 97 | 1299 |
| C | 75/55 | M12(12) | 1255430 | 596 | 2969 | 87 | 1299 |
| C | 100/40 | M16(16) | 319350 | 2074 | 7217 | 221 | 2309 |
| C | 100/45 | M16(16) | 319360 | 1655 | 6587 | 193 | 2309 |
| C | 100/50 | M16(16) | 319370 | 1374 | 6156 | 172 | 2309 |
| C | 100/55 | M16(16) | 319380 | 1174 | 5849 | 155 | 2309 |

S = internal thread length



Cylindrical mountings type D/E/KD

| Type D/H | GxL | Art.No. 40° IRH | Art.No. 60° IRH | Compression load | |
|----------|---------------|--------------------|--------------------|-----------------------------|-----------------------------|
| | | | | 40° IRH F_{max} (N) | 60° IRH F_{max} (N) |
| D 10/10 | M4x10 | | 319390 | | 59 |
| D 15/15 | M4x10 | | 319400 | | 131 |
| D 20/10 | M6x15 | | 319410 | | 295 |
| D 20/15 | M6x15 | | 319420 | | 248 |
| D 20/20 | M6x15 | | 319430 | | 233 |
| D 20/25 | M6x15 | | 319440 | | 226 |
| D 25/10 | M6x15 | | 319450 | | 532 |
| D 25/15 | M6x15 | | 319460 | | 416 |
| D 25/20 | M6x15 | | 319470 | | 379 |
| D 30/15 | M8x20 | | 319480 | | 663 |
| D 30/20 | M8x20 | | 319490 | | 578 |
| D 30/25 | M8x20 | | 1534870 | | 542 |
| D 30/30 | M8x20 | | 319500 | | 523 |
| D 40/25 | M8x20 | | 319510 | | 1044 |
| D 40/30 | M8x20 | | 319520 | | 985 |
| D 40/40 | M8x20 | | 319530 | | 928 |
| D 50/20 | M10x25 | | 319540 | | 2094 |
| D 50/30 | M10x25 | | 319550 | | 1653 |
| D 50/40 | M10x25 | | 319560 | | 1512 |
| D 50/45 | M10x25 | | 319570 | | 1476 |
| D 75/25 | M12x35 | | 319580 | | 5446 |
| D 75/40 | M12x35 | | 319590 | | 3895 |
| E 30/17 | G(S) M8(8) | 1256930 | 1661280 | 225 | 500 |
| E 50/20 | M10(10) | | 319600 | | 1700 |
| E 50/36 | M10(10) | 1659990 | 319610 | 550 | 1100 |
| E 50/45 | M10(10) | | 1659870 | | 1000 |
| KD 25/12 | M6x16 | | 1534150 | | 300 |
| KD 25/12 | M6x18 | | 1533450 | | 250 |
| KD 50/17 | M10x28 | | 1256940 | | 1400 |

S = internal thread length