

# Resilmount A237R

Direct Fix Furring Channel Resilmount Mount



Dashboard



## APPLICATION

Resilmount A237R™ are an engineered, patented acoustic resilient mounting bracket for Studco furring channels, for reducing airborne vibration and structure-borne vibration in wood, steel and concrete wall and ceiling applications.



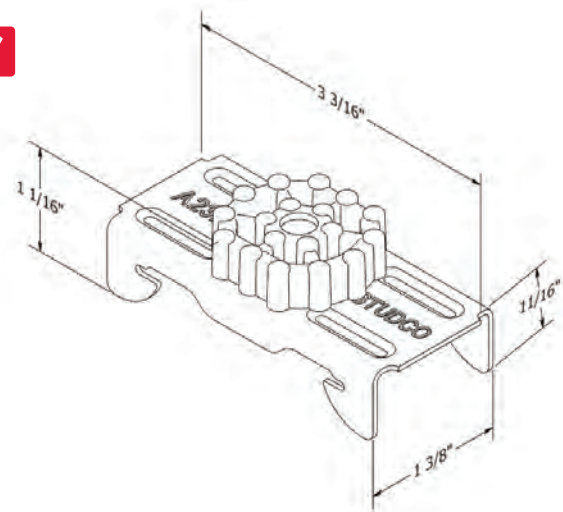
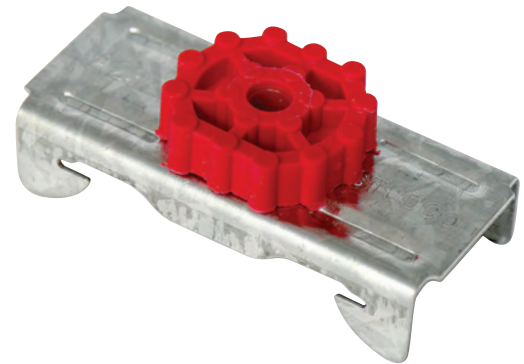
## FEATURES

- Engineered thermoplastic rubber outperforms standard rubber because of its sound absorbing characteristics.
- A237R can be used with any wood, steel, CMU or concrete application.
- A237R decouples gypsum board from the structure.
- A237R is UL approved in 84 wall and ceiling assemblies.
- Consistent and reliable quality – manufactured under ISO 9001 quality control system.
- Resilmount is the most cost effective way to isolate airborne noise.
- A237R clips can be used to suit 7/8" and 1 1/2" furring channels.
- A237R are provided with a 1/4" hole for a variety of fasteners.



## DYNAMIC CHARACTERISTICS

Resilmounts patented thermoplastic rubber outperforms standard rubber because of its unique natural absorbing characteristics. Resilmounts unique sound cell design guards against structure borne vibrations transferring into the body of the resilmount because of its strong column design providing a small percentage of contact surface area with the structure or substrate it is fastened to. This aids in absorbing and breaking up airborne sound at its transfer point.



Datasheet



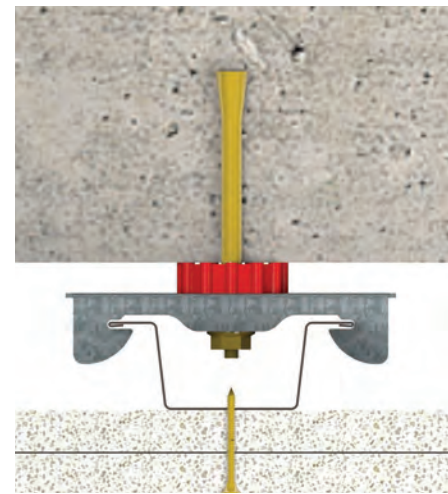
## INSTALLATION NOTES

- A237R to be fastened to structure with a minimum #8 screw or masonry sleeve anchors.  
(See fasteners manufacturers specifications).
- Load capacity: 55 lbs. maximum dead load.
- Maximum spacing of clips on furring channel is 48".
- Spacing between furring channels should not exceed 24".
- Must use A-300 washer in fire rated assemblies.



## RELATED PRODUCTS

- A96R Resilmount Clip with right angle bracket.
- A237 Resilmount Clip without rubber.
- A48R Resilmount Right angle bracket.
- A24R Double Resilmount bracket.



## SPECIFICATIONS

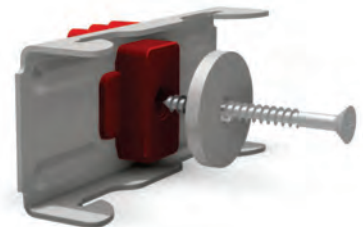
Code	Clip Height	Metal Thickness	Clip width x length	Height of rubber*
A237R	1 1/8"	0.047"	1 3/8" x 3 1/8"	3/8"

\*Height of rubber on top of clip

## FIRE RATED INSTALLATIONS

On Fire Rated applications Resilmount Washer must be installed as shown.

If this washer is not installed the clip has no Fire Rating.



## WARRANTY

This product is covered by a year guarantee. Conditions and limitations of guarantees and warranties are set out in Studco Project Guarantee certificate.



## FURTHER ASSISTANCE

Contact the technical engineering team at Studco Technical Services for assistance with specifications, product selection, acoustic engineering and structural engineering enquiries.  
 Tel: 800.675.8023 or email sales@resilmount.com



## ACCREDITATION/CERTIFICATION



UL & Warnock Hersey Listed